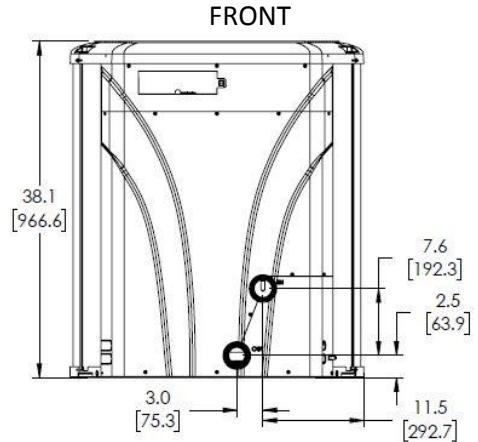
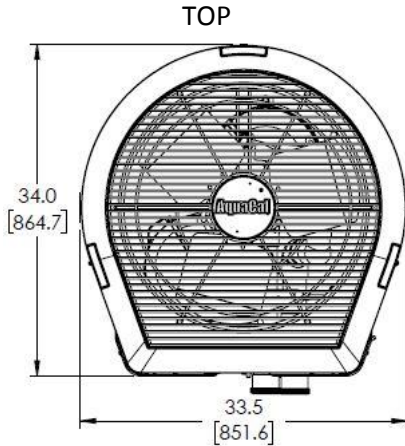


Technical Data Sheet

DIMENSIONS

(in inches – millimeters in brackets)

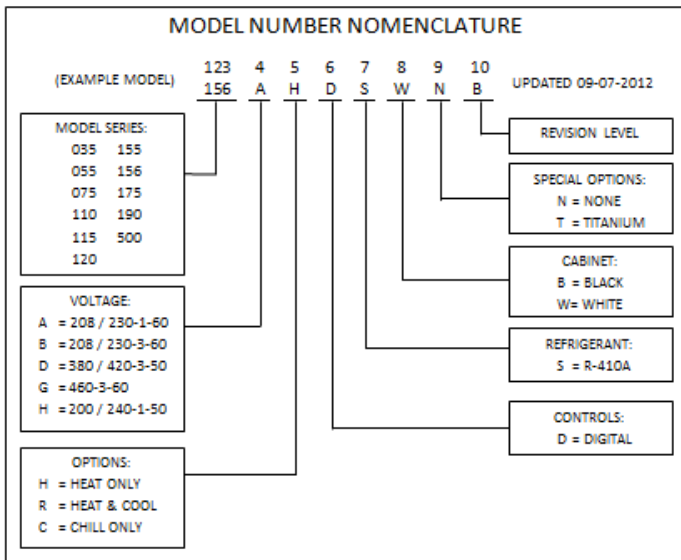


SPECIFICATIONS 2/22/2017

Information	Data		
TEST CONDITIONS (WATER/AIR/RH)	80/80/80	80/80/63	80/50/63
BTU OUTPUT	112000	106000	74000
KW OUTPUT	32.8	31.1	21.7
KW INPUT	5.9	5.8	5.4
COP	5.6	5.4	4.0
VOLTAGE/Hz/PHASE	208-230/60/1 (A-volt)		200-230/60/3 (B-volt)
MINIMUM CIRCUIT AMPACITY	35.4		30.8
MAX FUSE	60		50
COMPRESSOR TYPE	Scroll		
REFRIGERANT	R410A		
HEAT EXCHANGER	Titanium Thermo-Link Tube In Shell		
WATER PRESSURE DROP	2.5 (at 45 GPM)		
WATER FLOW	30 Min / 70 Max (Gallons per min.)		114 MIN / 265 MAX (Liters per min.)
SHIPPING WEIGHT	309 pounds		140 kilograms
DECIBELS	65 (at 10 feet)		65 (at 3 meters)

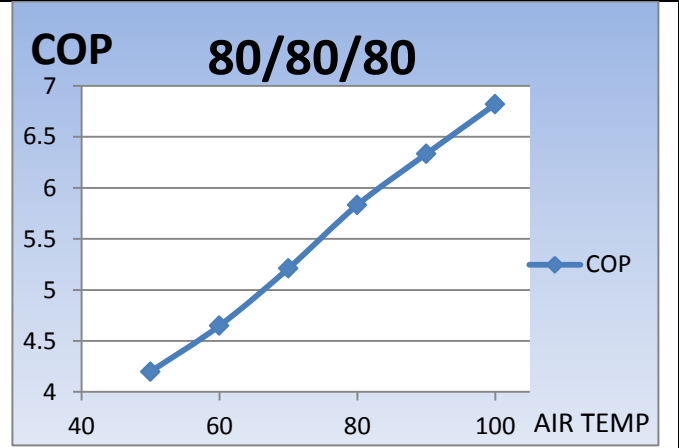
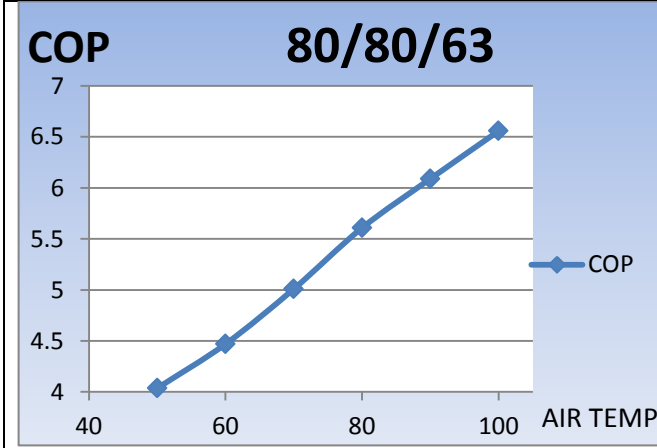
*Testing is outside the scope of AHRI 1160.

Specifications are subject to change without notice.



Technical Data Sheet

COEFFICIENT OF PERFORMANCE CURVES (C.O.P.)



BTU OUTPUT CURVES

