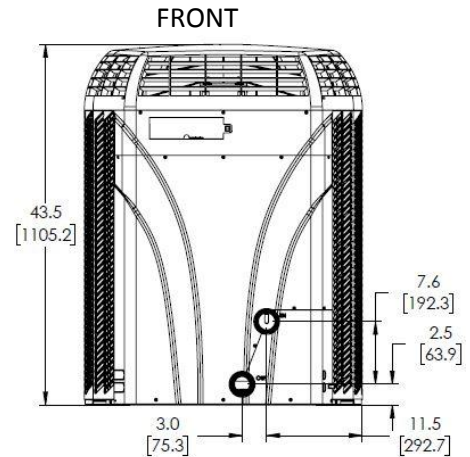
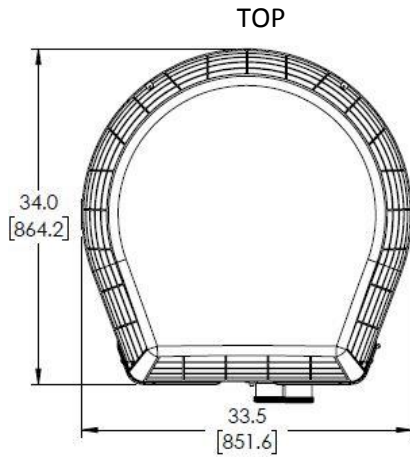


## Technical Data Sheet

### DIMENSIONS

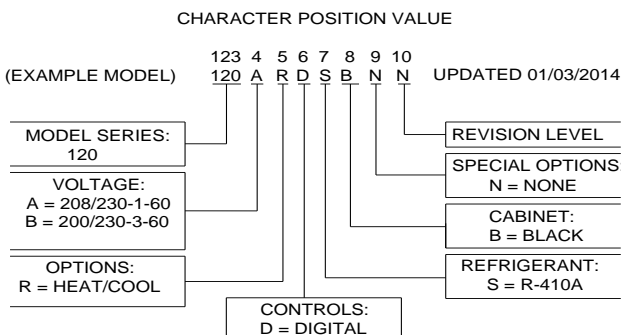
(in inches – millimeters in brackets)



### SPECIFICATIONS 3/29/2015

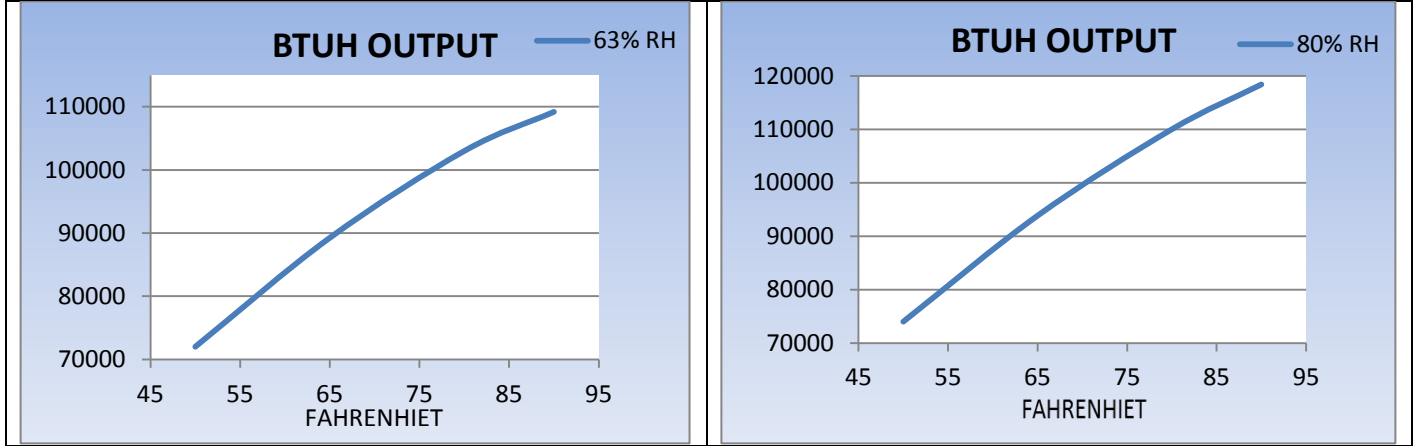
Information	Data		
HEATING CONDITION (WATER/AIR/RH)	80/80/80	80/80/63	80/50/63
BTU OUTPUT	110,000	103,000	72,000
KW OUTPUT	32.1	30.2	21.1
KW INPUT	5.9	5.7	5.3
COEFFICIENT OF PERFORMANCE	5.5	5.3	4.0
COOLING CONDITION (WATER/AIR/RH)	100/80/63		
REJECTED BTU / KW	86,000 / 25.2		
KW INPUT	7.0		
ENERGY EFFICIENCY RATIO (EER)	12.3		
VOLTAGE/Hz/PHASE	A-VOLTAGE 208-230/60/1	B-VOLTAGE 200-230/60/3	
MINIMUM CIRCUIT AMPACITY	38.5	31.0	
MAX FUSE	60	50	
COMPRESSOR TYPE	Scroll		
REGRIGERANT	R410A		
HEAT EXCHANGER	Titanium Modified Tube In Shell		
WATER PRESSURE DROP	6.4 PSI (at 70 GPM)	6.4 PSI (at 265 LPM)	
WATER FLOW	30 Min/70 Max (GPM)	114 MIN /265 MAX (LPM)	
SHIPPING WEIGHT	315 pounds	142 kilograms	
DECIBELS	55 (at 10 feet)	55 at 3 meters)	

Specifications are subject to change without notice.



## Technical Data Sheet

### BTUH PERFORMANCE CURVES



### COEFFICIENT OF PERFORMANCE CURVES (COP)

