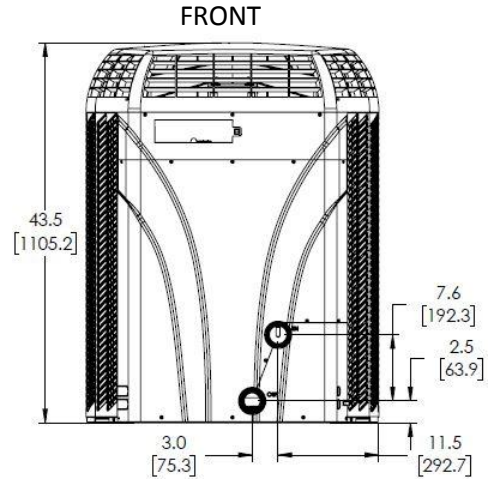
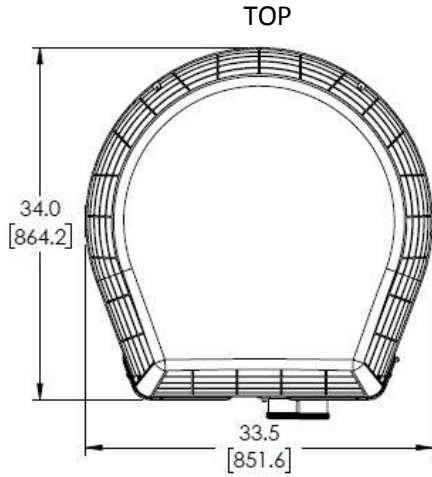


Technical Data Sheet

DIMENSIONS

(in inches – millimeters in brackets)



SPECIFICATIONS 2/8/2017

Information	Data			
TEST CONDITION (WATER/AIR/RH)	80/80/80	80/80/63	80/50/63	
BTU OUTPUT	143,000	134,000	90,000	
KW OUTPUT	41.9	39.3	26.4	
KW INPUT	6.4	6.4	6.6	
COEFFICIENT OF PERFORMANCE	6.5	6.1	4.0	
VOLTAGE/Hz/PHASE	208-230/60/1	200-230/60/3	460/60/3	380-415/60/3
MINIMUM CIRCUIT AMPACITY	42.1	33.3	16.2	18.4
MAX FUSE	60	50	25	30
COMPRESSOR TYPE	Scroll			
REGRIGERANT	R410A			
HEAT EXCHANGER	THERMOLINK II Titanium Modified Tube In Shell			
WATER PRESSURE DROP	6.4 PSI (at 70 GPM)		6.4 PSI (at 265 LPM)	
WATER FLOW	30 Min/70 Max (GPM)		114 MIN /265 MAX (LPM)	
SHIPPING WEIGHT	390 pounds		176 kilograms	
DECIBELS	55 (at 10 feet)		55 at 3 meters)	

Specifications are subject to change without notice.

